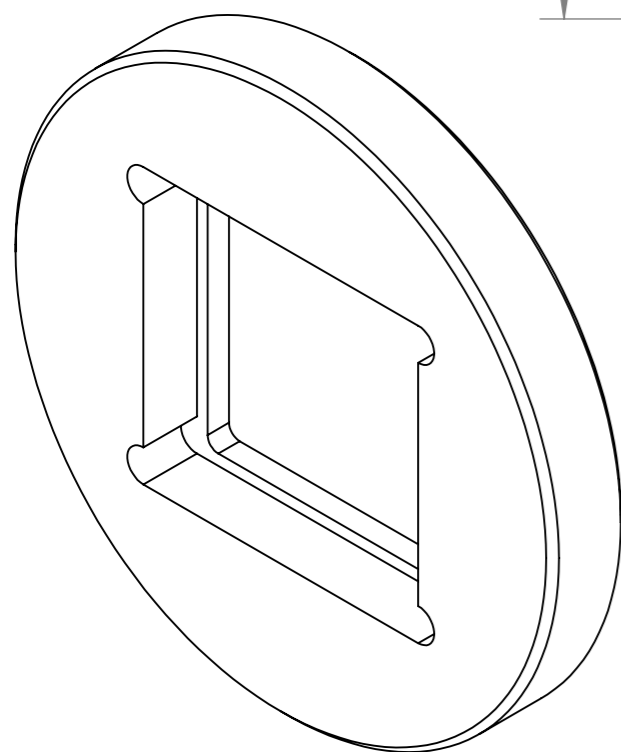
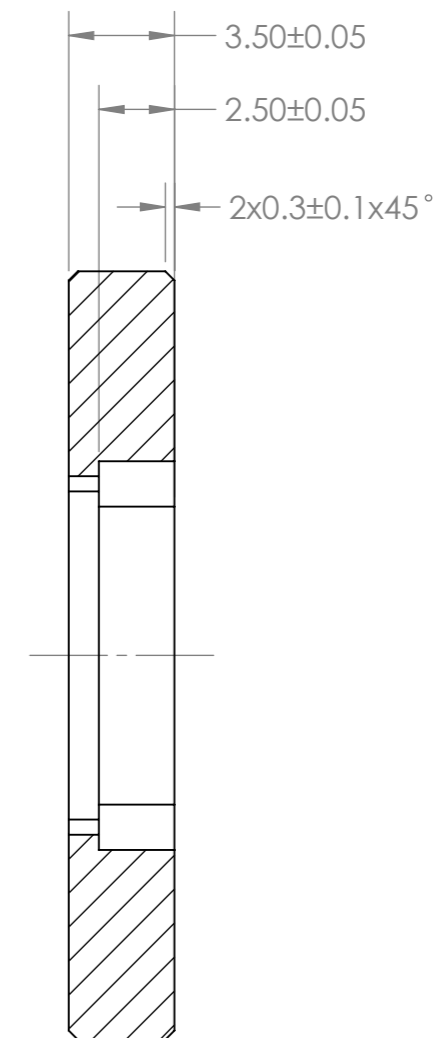
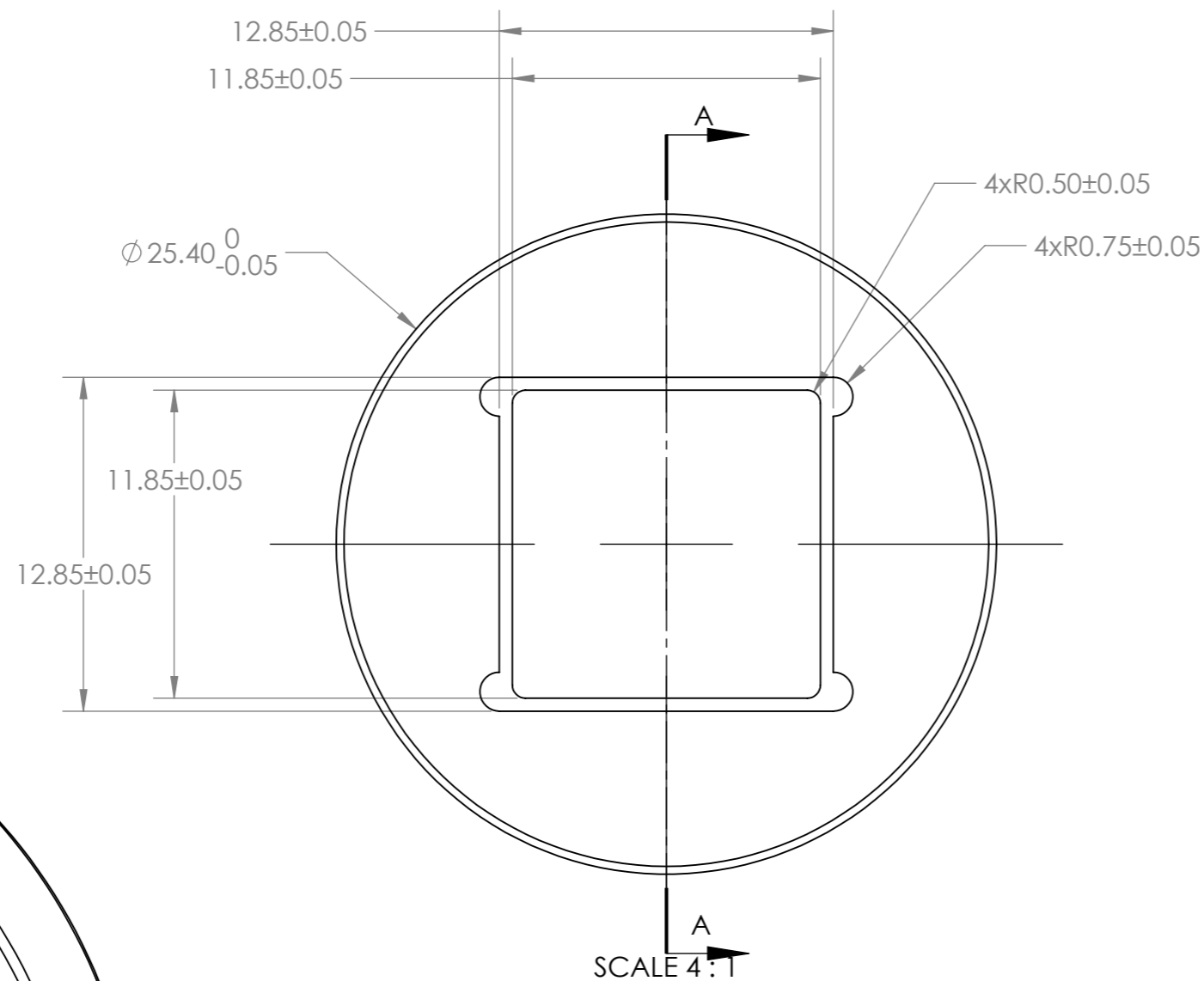



NOTES

1. MATERIAL: AL AL 6061 T6
2. REMOVE BURS AND SHARP EDGES.
3. FILLET R0.3 MAX UNLESS OTHERWISE SPECIFIED.
4. FINISH: ANODIC COATING DYED BLACK 12 MICRON.

REVISIONS				
ZONE	REV.	DESCRIPTION	DATE	APPROVED
	A		10/25/2015	



UNLESS OTHERWISE SPECIFIED: DIMENSIONS ARE IN MILLIMETERS SURFACE FINISH: TOLERANCES: LINEAR: ±0.1 ANGULAR: ±0.5°		FINISH:		DEBUR AND BREAK SHARP EDGES		DO NOT SCALE DRAWING		REVISION A	
DRAWN G.S.		SIGNATURE		DATE 6/12/15		THIS DRAWING IS THE PROPERTY OF HOLO/OR. DUPLICATION OR SUBMISSION TO THIRD PARTIES REQUIRES HOLO/OR'S WRITTEN CONSENT.			
CHK'D L.S.				DATE 6/12/15		 TITLE: Adapter for square 12.7x12.7mm to 1" dia			
APPV'D									
MFG									
Q.A									
				MATERIAL:		DWG/PART NO. AD SQ07 T01		A3	
				WEIGHT:		SCALE:10:1		SHEET 1 OF 1	