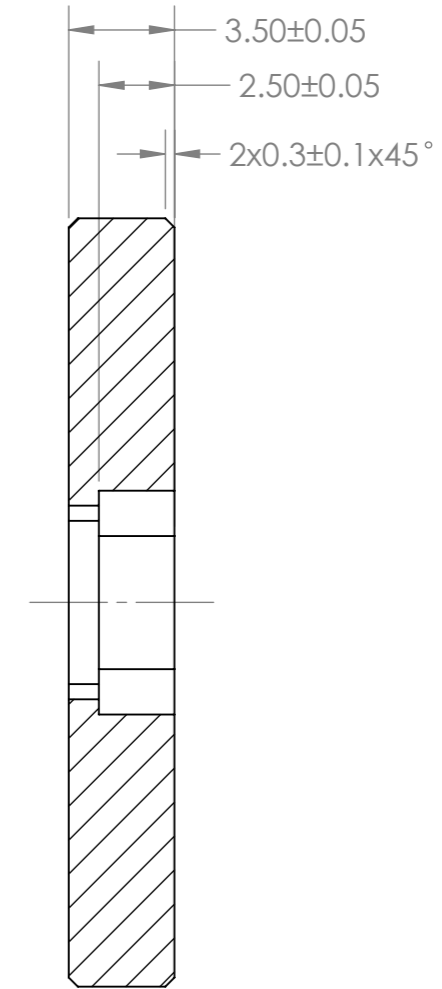
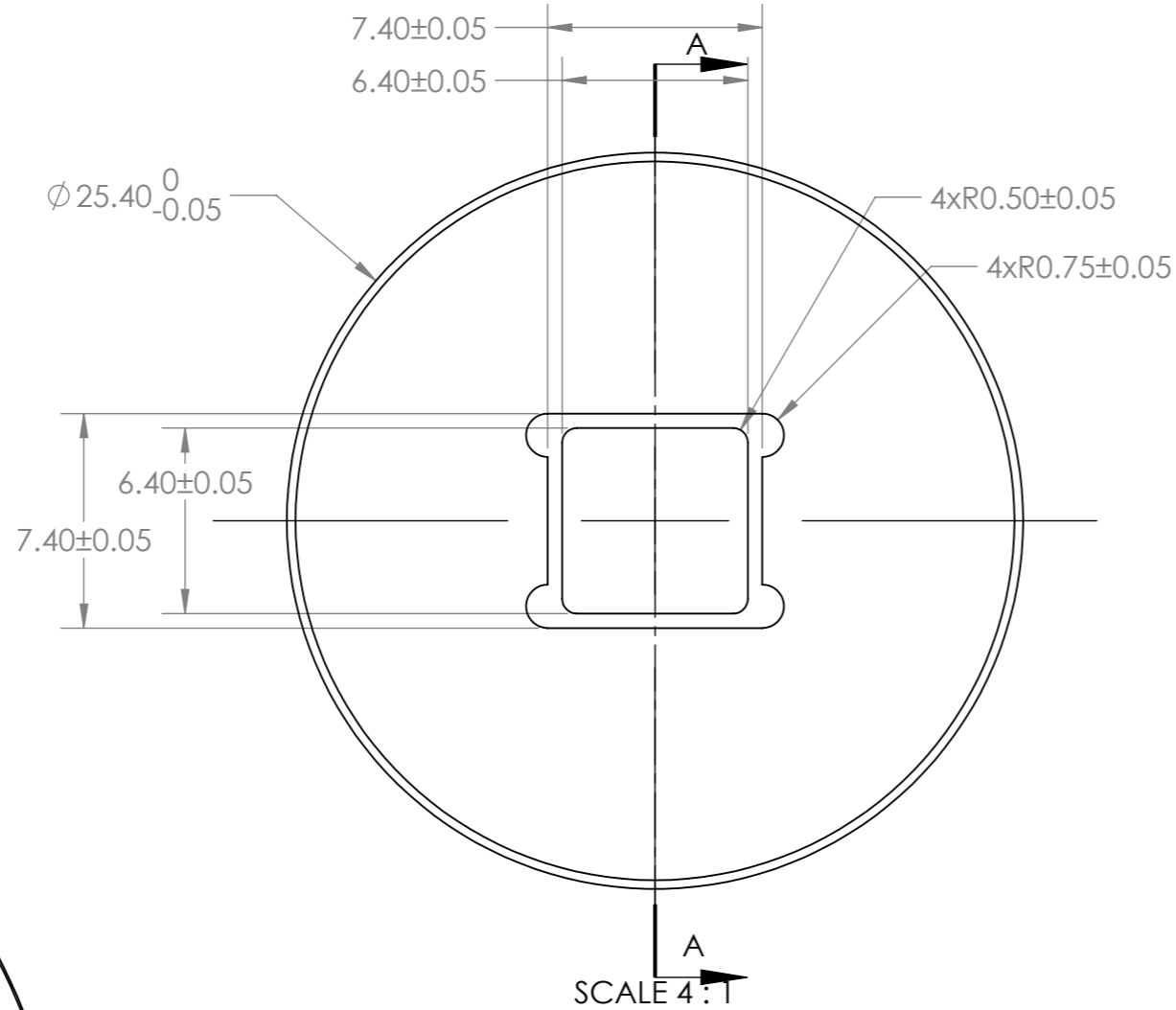


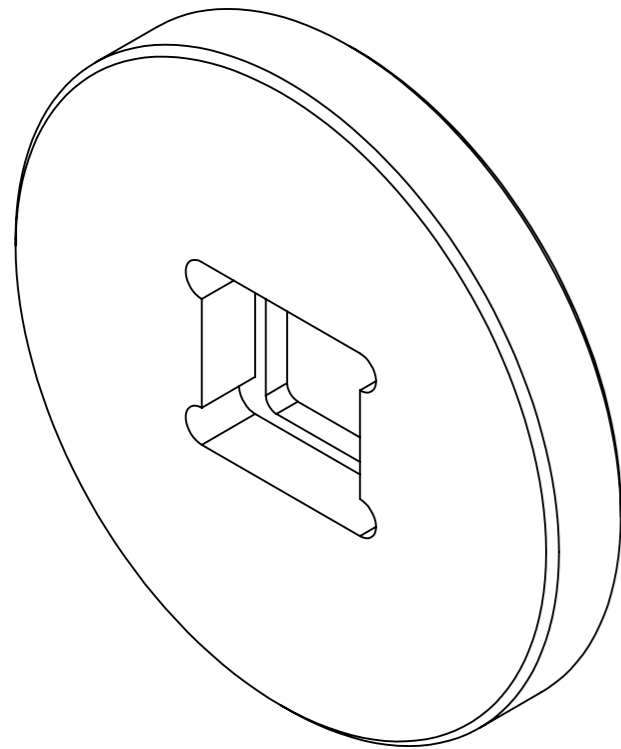
NOTES

1. MATERIAL: AL AL 6061 T6
2. REMOVE BURRS AND SHARP EDGES.
3. FILLET R0.3 MAX UNLESS OTHERWISE SPECIFIED.
4. FINISH: ANODIC COATING DYED BLACK 12 MICRON.

REVISIONS				
ZONE	REV.	DESCRIPTION	DATE	APPROVED
	A		10/25/2015	




SECTION A-A  
SCALE 4 : 1



SCALE 4 : 1

SCALE 4 : 1

UNLESS OTHERWISE SPECIFIED: DIMENSIONS ARE IN MILLIMETERS		FINISH:		DEBUR AND BREAK SHARP EDGES		DO NOT SCALE DRAWING		REVISION A	
SURFACE FINISH:						THIS DRAWING IS THE PROPERTY OF HOLO/OR. DUPLICATION OR SUBMISSION TO THIRD PARTIES REQUIRES HOLO/OR'S WRITTEN CONSENT.			
TOLERANCES:						TITLE: Adapter for square 7.25x7.25mm to 1" dia			
LINEAR: ±0.1									
ANGULAR: ±0.5°									
NAME	SIGNATURE	DATE							
DRAWN G.S.		6/12/15							
CHK'D L.S.		6/12/15							
APPV'D						DWG/PART NO. AD SQ02 T01		A3	
MFG						SCALE:10:1		SHEET 1 OF 1	
Q.A						WEIGHT:			